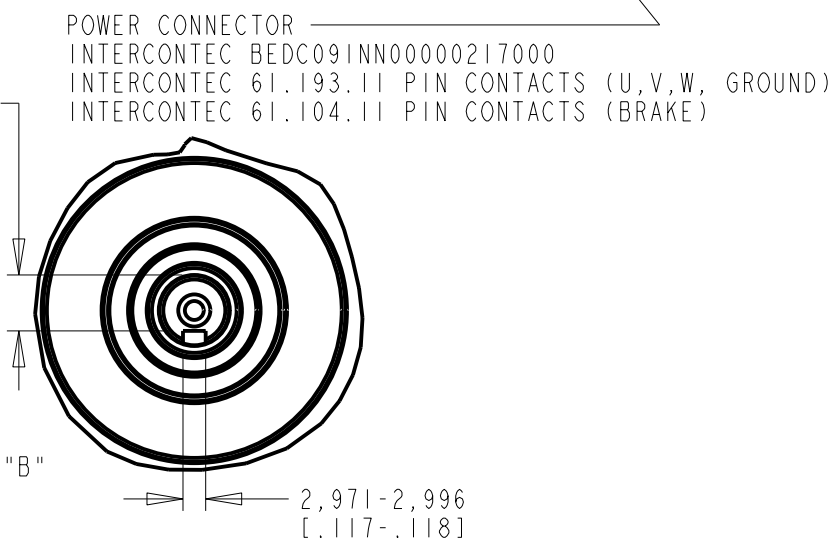
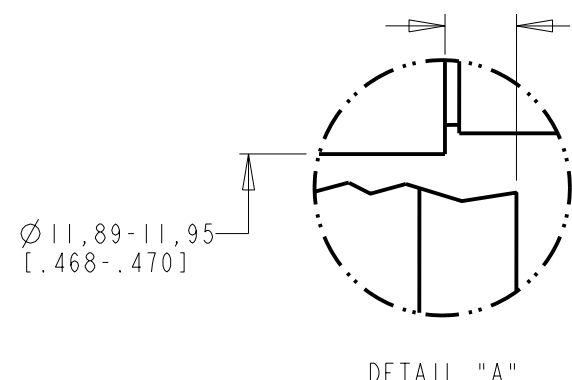


MODEL	LB	LD	LE
MPL-B1510	150 [5.89]	112 [4.41]	71,6 [2.82]
MPL-B1520	162,6 [6.40]	124,9 [4.92]	84,5 [3.33]
MPL-B1530	188 [7.40]	150 [5.90]	109,5 [4.31]



PIN-OUT		ENCODER CONNECTOR	
PIN	FUNCTION	PIN	FUNCTION
A	U	1	SIN +
B	V	2	SIN -
C	W	3	COS +
⊕	GROUND	4	COS -
E	-	5	DATA +
F	MBR+	6	DATA -
G	MBR-	7-10	-
H	-	11	EPWR 9V
L	-	12	ECOM
		13	TS +
		14	TS -
		15-17	-

NOTE:  
 1. DXF FILE OF THIS DRAWING MUST BE SCALED TO LENGTH, SEE CHART ABOVE. MODEL SHOWN IS MPL-B1520x-xJ74AA.  
 2. 3D STEP (.stp) FILES AVAILABLE AT ALL LENGTHS.  
 3. THIS DRAWING COVERS SINGLE AND MULTI-TURN ABSOLUTE ENCODER MODELS (i.e., MPL-B15xxx-EJ74AA and MPL-B15xxx-VJ74AA).

# Rockwell Automation

CONFIDENTIAL AND PROPRIETARY INFORMATION. THIS DOCUMENT CONTAINS CONFIDENTIAL AND PROPRIETARY INFORMATION OF ROCKWELL AUTOMATION, INC. AND MAY NOT BE USED, COPIED OR DISCLOSED TO OTHERS, EXCEPT WITH THE AUTHORIZED WRITTEN PERMISSION OF ROCKWELL AUTOMATION, INC.

**ESM,MPL-B15xxx-EJ74AA;MPL-B15xxx-VJ74AA**

Drawn by: SAJOHNSON      Date: 08-06-10

Sheet 1 Of 1

Size		Ver
B	10000128126	00